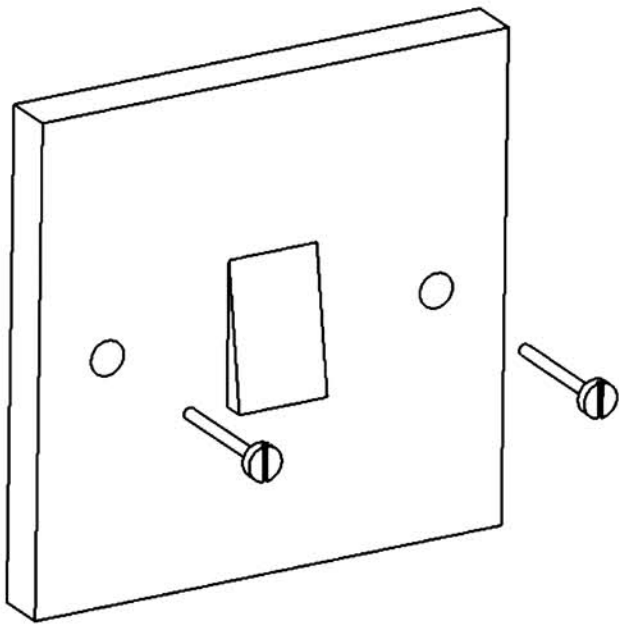
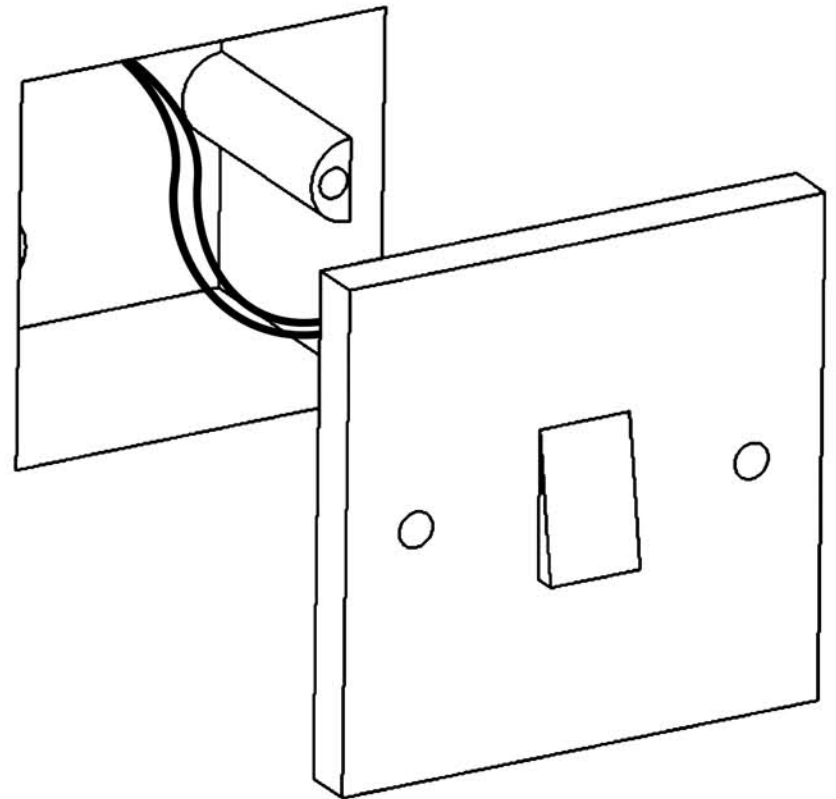


Light Surround Instructions

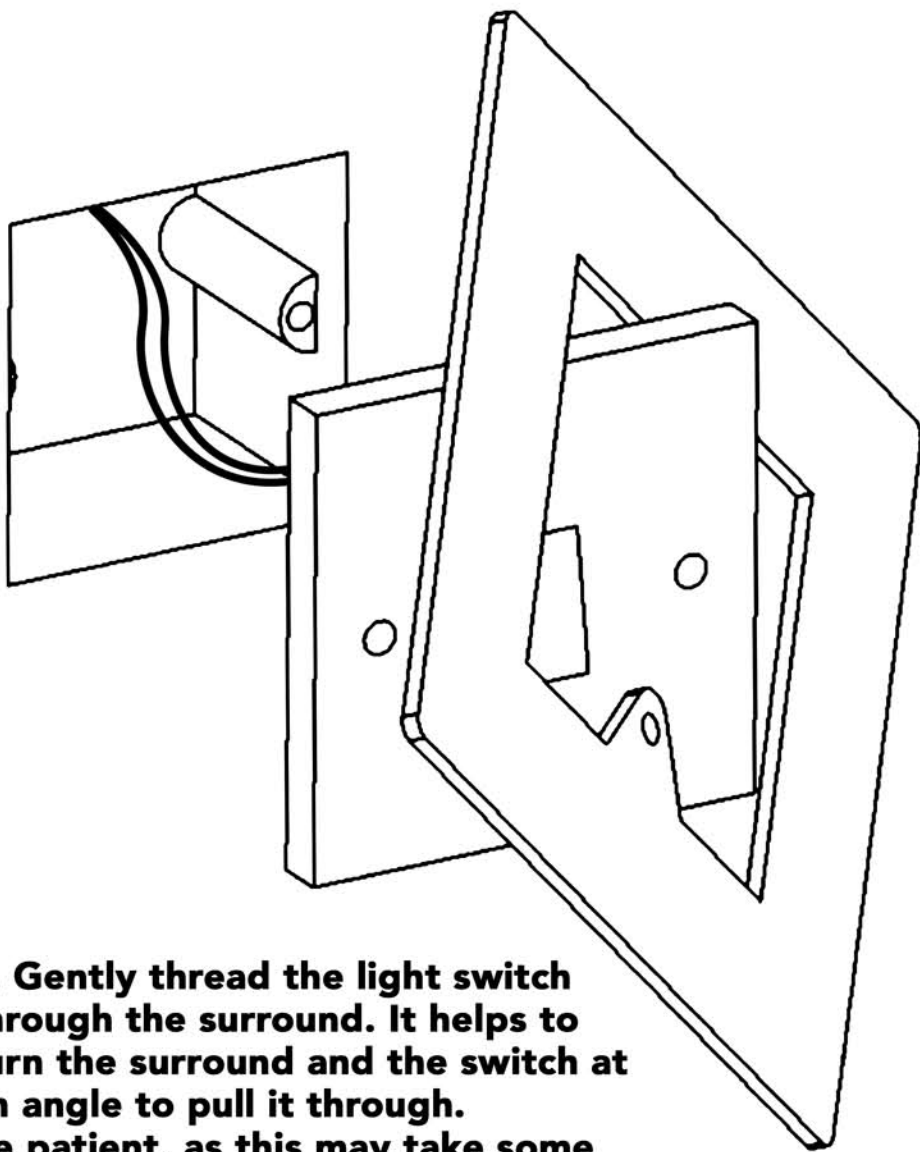
Warning: If you are at all unsure about fixing the light switch surround in place then it's highly recommended that you contact a qualified electrician.



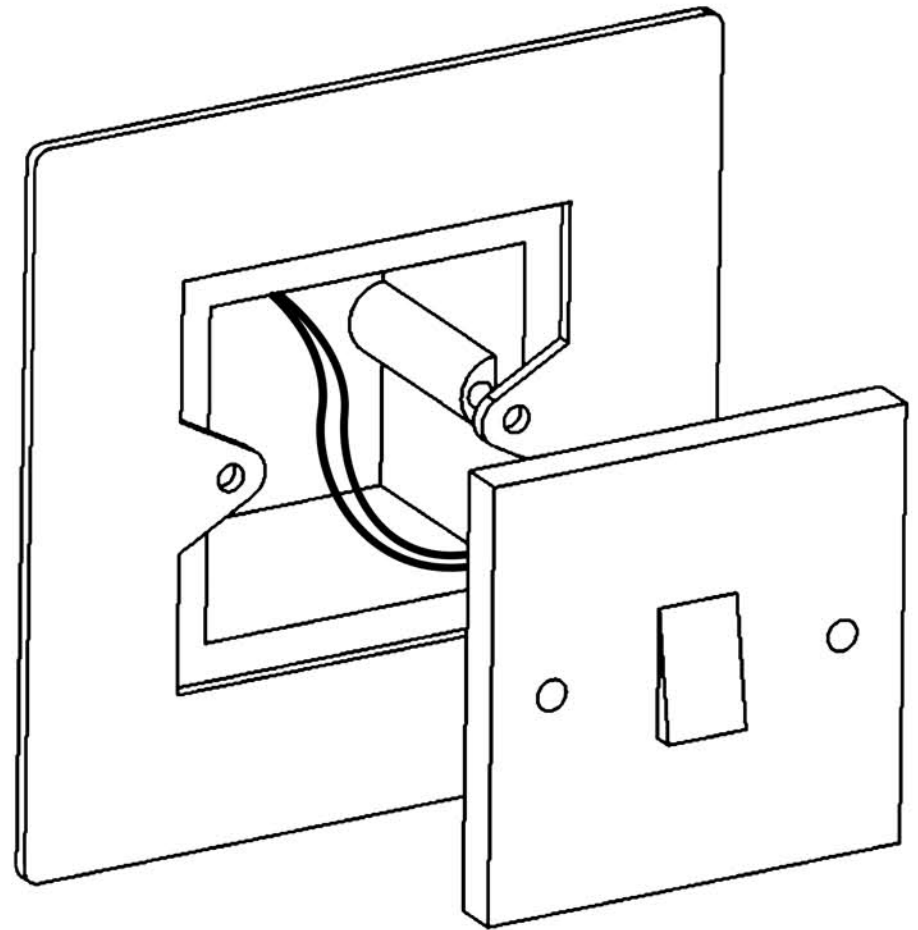
1. Unscrew both screws from the light switch and put to one side.



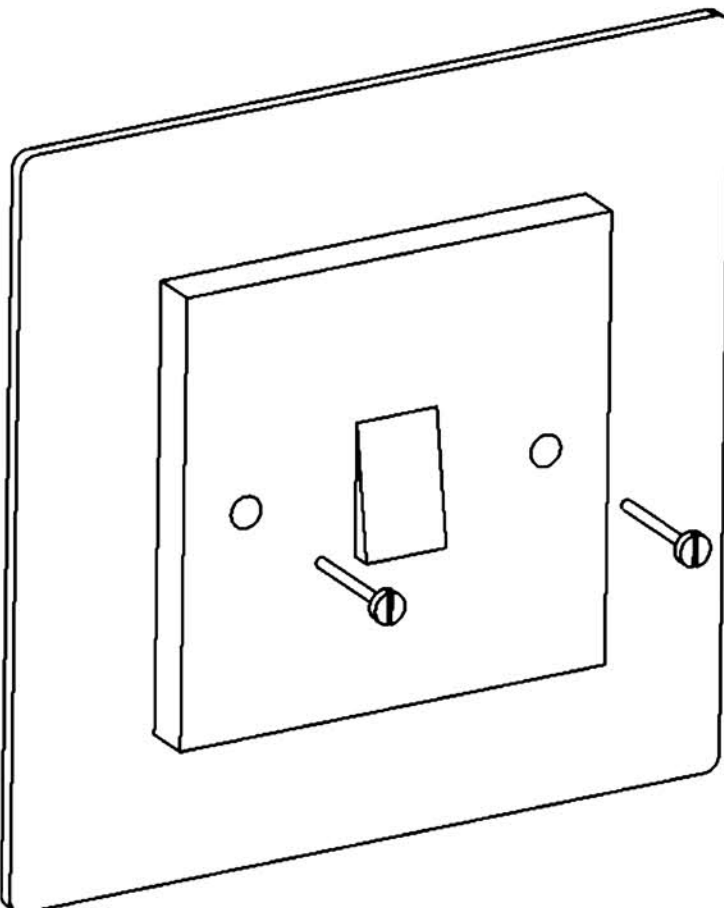
2. Pull the light switch away from the wall slightly. Be careful not to pull too hard as the light switch will be connected to several wires inside the wall.



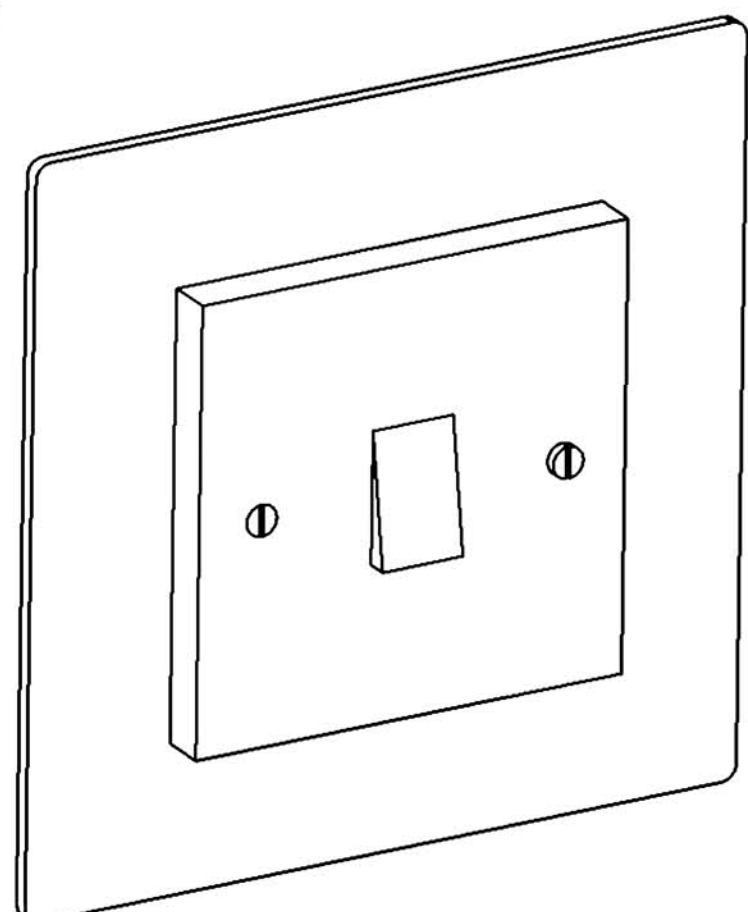
3. Gently thread the light switch through the surround. It helps to turn the surround and the switch at an angle to pull it through. Be patient, as this may take some time to get right.



4. Hold the surround against the wall and line up the holes with the screw holes inside the wall.



5. Push the light switch back against the wall ensuring the screw holes are lined up, then screw in both screws.



The surround is fitted.
NB: To remove the surround complete these instructions in reverse order.